

DC 前倾离心及鼓风机  
DC Forward Curved Centrifugal Fan and Blower

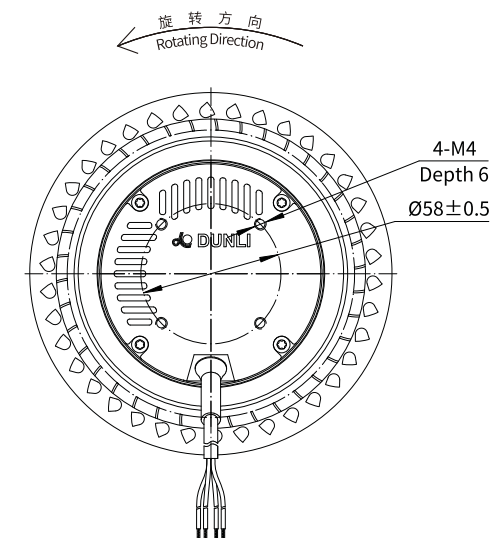
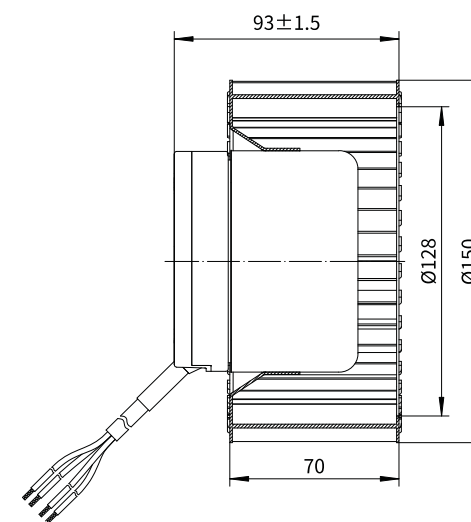
ErP2015  
EXCEEDS THE NORM

前倾离心风机 Motorized Forward Curved Impeller

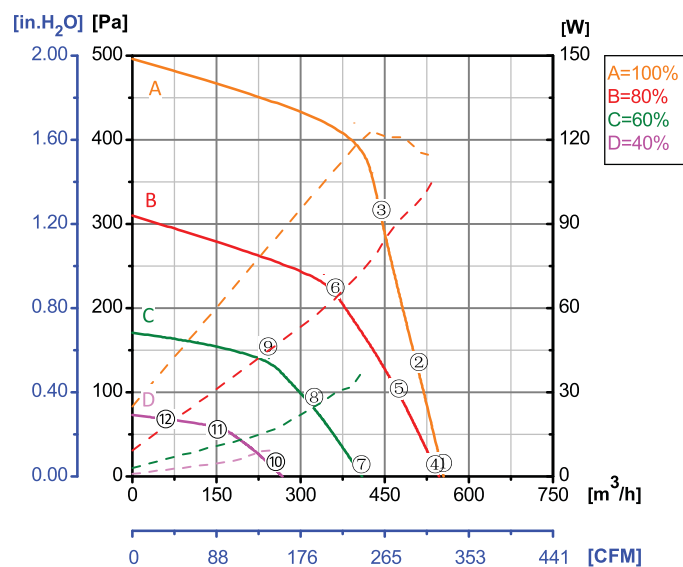


Φ 150

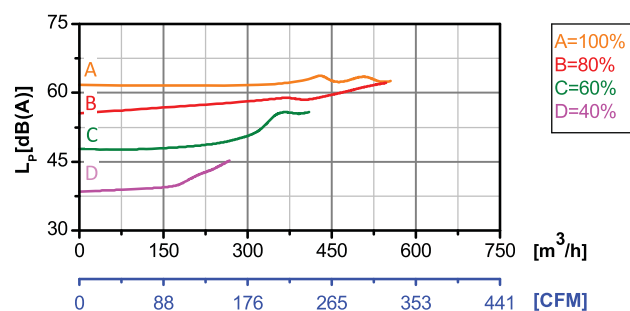
转子材质 Rotor Material: 碳钢 Carbon steel  
 蜗壳材质 Housing Material: 碳钢 Carbon steel  
 叶轮材质 Impeller Material: 镀锌板 Galvanized steel sheet  
 防护等级 Ingress Protection: IP42  
 绝缘等级 Insulation Class: F  
 轴承类型 Bearing Type: 免维护滚珠轴承  
 Maintenance free ball bearing



性能曲线 Performance Curves

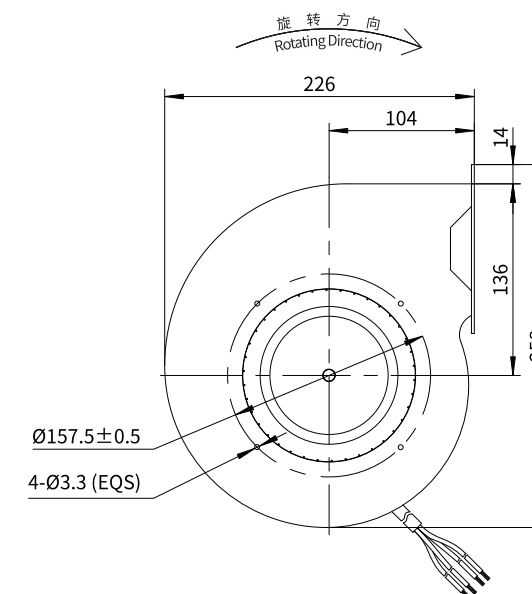
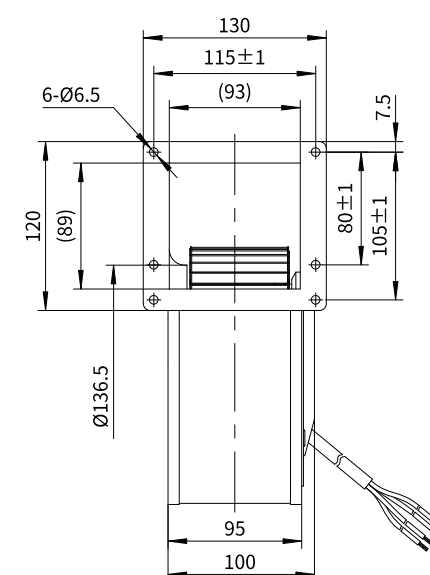


测试节点 Test Point	转速 Speed rpm	输入功率 Input Power W
1	2426	115
2	2587	115
3	2863	121
4	2389	109
5	2388	93
6	2391	65
7	1798	37
8	1798	25
9	1796	16
10	1196	11
11	1196	9
12	1196	6



Erp2015 Data:  
 Efficiency  $\eta_{statA}=45.2\%$   
 Efficiency grade  $N_{actual}=57.3, N_{target}=44$   
 Test report No. : L-20210302-003-037

鼓风机 Blower



产品型号 Model No.	电压 Voltage	频率 Frequency	转速 Speed	输入功率 Input Power	电流 Current	运行温度 Working Temp.	认证 Approvals
	VDC	Hz	RPM	W	A	Min/Max (°C)	
DC92-F150-A10	24	/	2450	120	5.00	-20/+60	CE
DC92-F150-C10	48	/	2450	120	2.50	-20/+60	CCC,CE
DC92-F150-031	310	/	2450	120	0.39	-20/+60	CCC,CE