

EC 机翼形塑料叶片轴流风机
EC Plastic Airfoil Blade Axial Fan

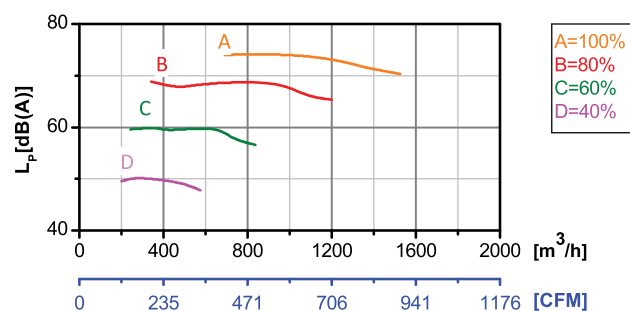
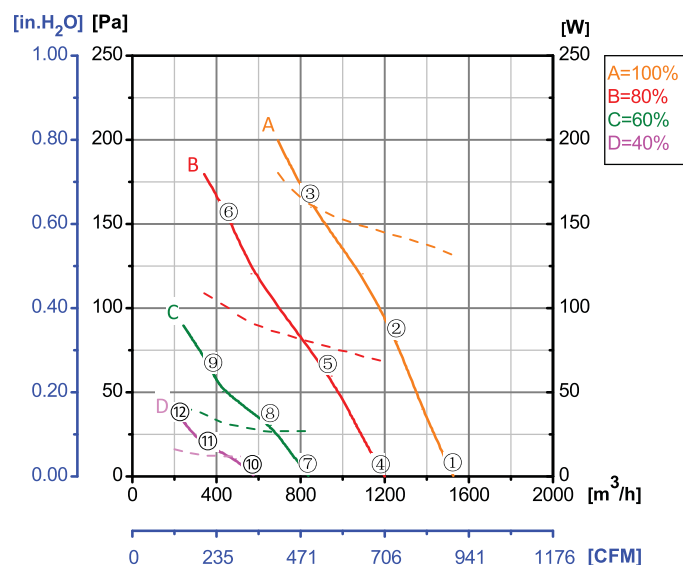
ErP2015
EXCEEDS THE NORM



Φ 250

转子材质 Rotor Material: 碳钢 Carbon steel
风叶材质 Blade Material: 塑料 Plastic
防护等级 Ingress Protection: IP44
绝缘等级 Insulation Class: F
轴承类型 Bearing Type: 免维护滚珠轴承
Maintenance free ball bearing

性能曲线 Performance Curves

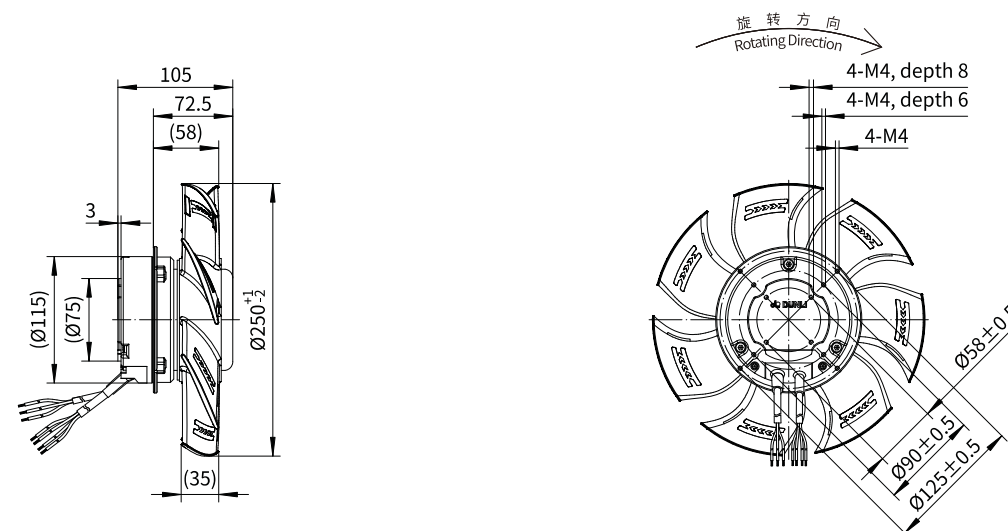


测试节点 Test Point	转速 Speed rpm	输入功率 Input Power W
1	2897	131
2	2903	124
3	2896	156
4	2316	68
5	2322	64
6	2316	99
7	1641	27
8	1654	26
9	1651	34
10	1156	12
11	1159	12
12	1159	15

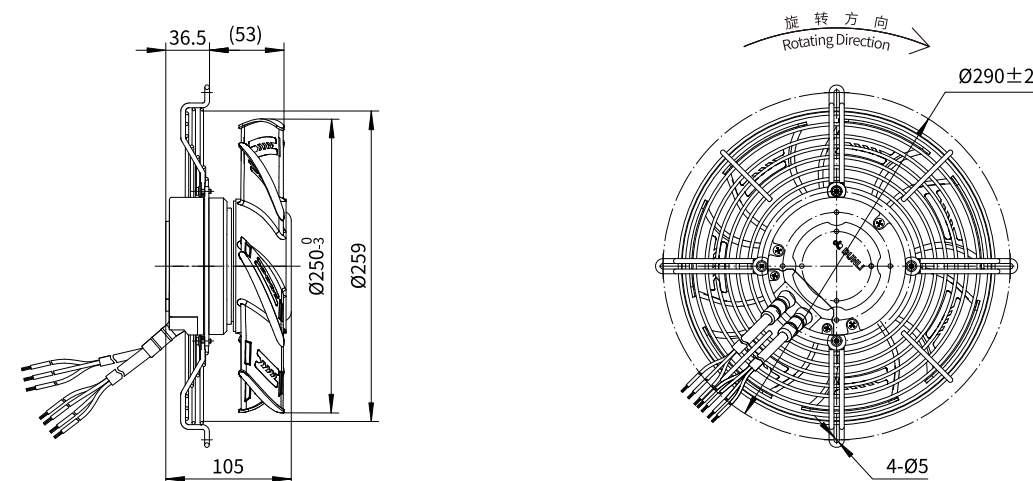
Erp2015 Data:
Efficiency η_{statA} = 33%
Efficiency grade N_{actual} = 45, N_{target} = 40
Test report No. : L-20210302-004-016

产品型号 Model No.	电压 Voltage VAC	频率 Frequency Hz	转速 Speed RPM	输入功率 Input Power W	电流 Current A	运行温度 Working Temp. Min/Max (°C)	认证 Approvals
EC92-A250-037	1~220/230	50/60	2900	140	1.00	-20/+60	CCC,CE,UL

风机本体 Type A



D 型网罩 Type D



F 型面板 Type F

