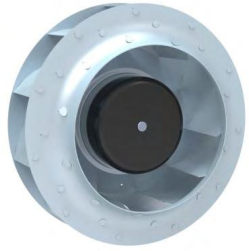


EC 金属叶轮后倾离心风机  
EC Backward Centrifugal Fan with Metal Impeller

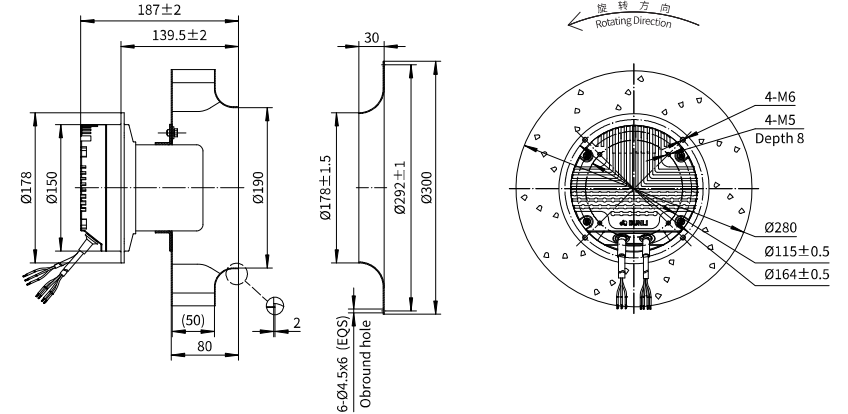
Erp2015  
EXCEEDS THE NORM

后倾离心风机 Motorized Backward Curved Impeller

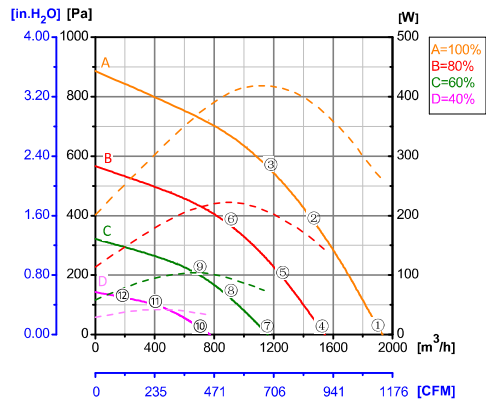


Φ 280-H

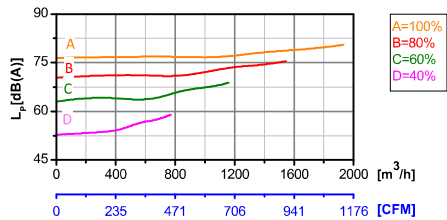
转子材质 Rotor Material: 碳钢 Carbon steel  
 叶轮材质 Impeller Material: 镀锌板 Galvanized steel sheet  
 防护等级 Ingress Protection: IP54  
 绝缘等级 Insulation Class: F  
 轴承类型 Bearing Type: 免维护滚珠轴承  
 Maintenance free ball bearing



性能曲线 Performance Curves



测试节点 Test Point	转速 Speed rpm	输入功率 Input Power W
1	3096	260
2	3096	382
3	3097	420
4	2473	142
5	2475	190
6	2477	225
7	1857	72
8	1857	93
9	1857	105
10	1236	33
11	1238	38
12	1238	43



Erp2015 Data:  
 Efficiency  $\eta_{statA}$ =48.3%  
 Efficiency grade  $N_{actual}$ =62.8,  $N_{target}$ =62  
 Test report No. : L-20210302-005-047

产品型号 Model No.	电压 Voltage	频率 Frequency	转速 Speed	输入功率 Input Power	电流 Current	运行温度 Working temp.	认证 Approvals
	VAC	Hz	RPM	W	A	Min/Max (°C)	
EC102-B280-002	1~220/230	50/60	3100	350	2.50	-20/+60	CCC, CE